

1. METALTRENDS™ GENERAL PRODUCT NOTES

MetalTrends™ Lucidity Acoustical Metal Ceiling Clouds are supplied as factory assembled ready to mount units. Each unit consists of a fully formed perforated body, internal stiffeners and acoustical fill. Various mounting styles and components are available and shipped with the units. Standard Clouds are nominally 2” thick.

2. STANDARD CLOUD CONSTRUCTION

A. Galvanized Perforated Cloud Body

Fabricated from 22 gauge A-60 galvanized sheet perforated with 3/32” diameter holes on a staggered 5/64” center pattern providing a minimum open area of 33%. Panel body is formed on vertical edges, back is open.

B. Cloud Face Configuration

Available in FLAT or V-GROOVE face configuration.

C. Standard Cloud Sizes

Cloud Width: 18”, 24” and 30”
 Cloud Length: 12” to 150” for FLAT Faced Units, 12” to 126” for V-GROOVE Faced Units.

D. Internal Panel Stiffeners

Each Cloud will include internal horizontal stiffeners as required fabricated from 18 GA A-60 galvanized sheet steel.

E. Acoustical Insulation Fill

Each Cloud will be filled with 2” thick x 1.5LB per ft³ fiberglass.

F. Optional Acoustical Insulation Fill

Fill may be fully encapsulated in a 1.5 mil black polyethylene wrap. Also available, fill may be held behind the perforated skin with a poly web mesh spacer.

3. MOUNTING COMPONENTS

Mounting brackets and components are supplied as selected. Concealed mounting components are supplied in unfinished galvanized material. Exposed mounting components are supplied finished to match the Clouds. All anchors and fasteners are to be supplied by the installer.

4. FIRE SAFETY

Clouds meet ASTM E84 Class I Fire and Smoke characteristics.


5. FINISH

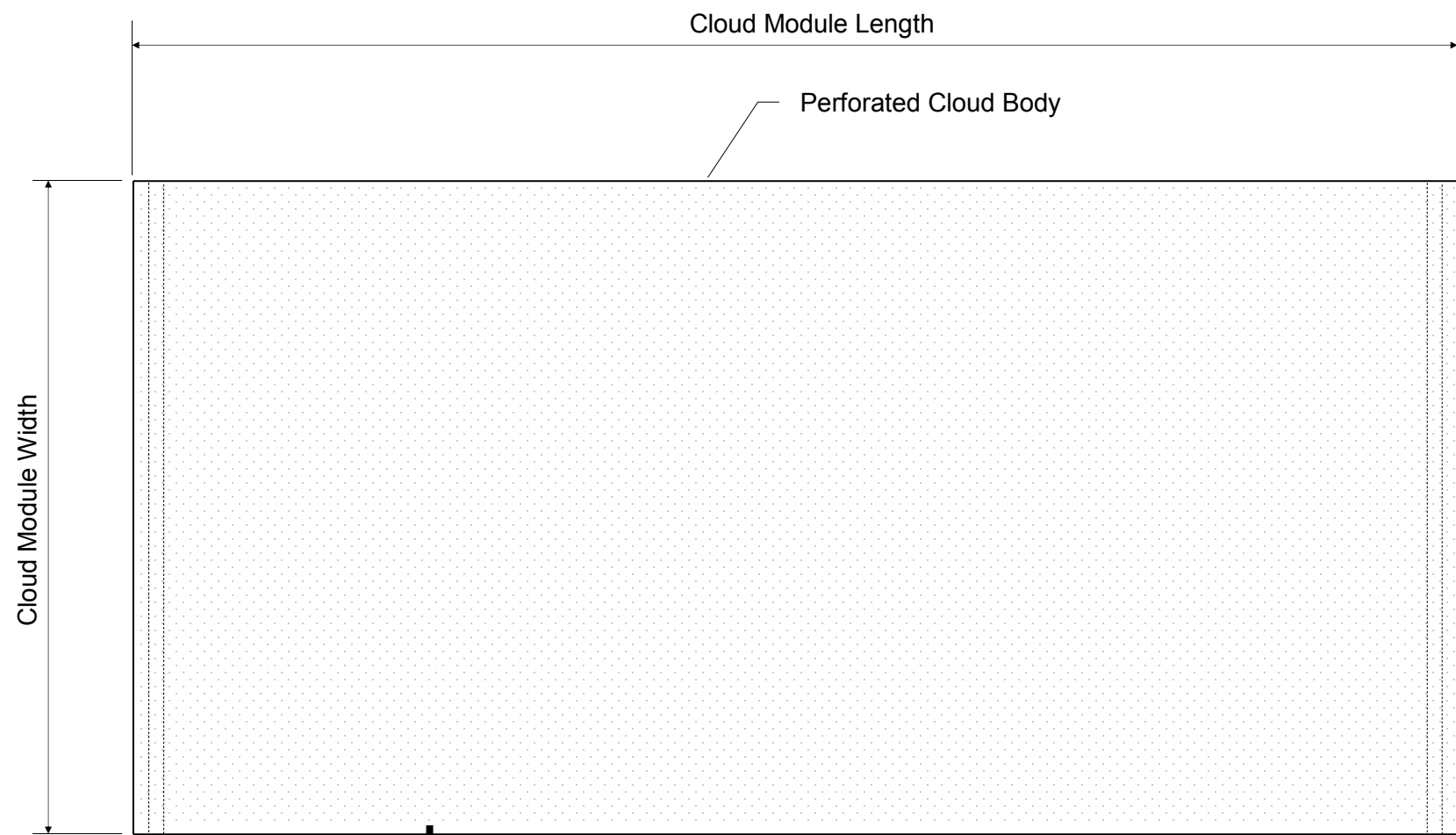
Clouds may be supplied unfinished or with a baked polyester powder coating in standard RAL color choices.

6. CRATING & SHIPPING

All Clouds are shipped in wooden crates suitable for domestic transportation. Crates are not intended for long term or unprotected outdoor storage, exposure to high heat, weather or humidity and doing so will void all warranties.

| METALTRENDS METAL CEILING CLOUDS | | | | | | | | | | | |
|----------------------------------|------------|---------------|----------------------------|------------------|-----------------------------------|------|------|------|------|------|------|
| Part Number / Style | Face Style | Mounting Type | Nominal Thickness (Inches) | Wrapped Fill Y/N | SOUND ABSORPTION COEFFICIENTS | | | | | | |
| | | | | | Octave Band Center Frequency – Hz | | | | | | |
| | | | | | 125 | 250 | 500 | 1000 | 2000 | 4000 | NRC |
| Lucidity Ceiling Cloud | Flat | Cloud | 2.0 | N | 0.41 | 0.92 | 1.31 | 1.23 | 1.25 | 1.32 | 1.18 |
| Lucidity Ceiling Cloud | V-Groove | Cloud | 2.0 | N | 0.56 | 1.11 | 1.33 | 1.31 | 1.31 | 1.23 | 1.25 |

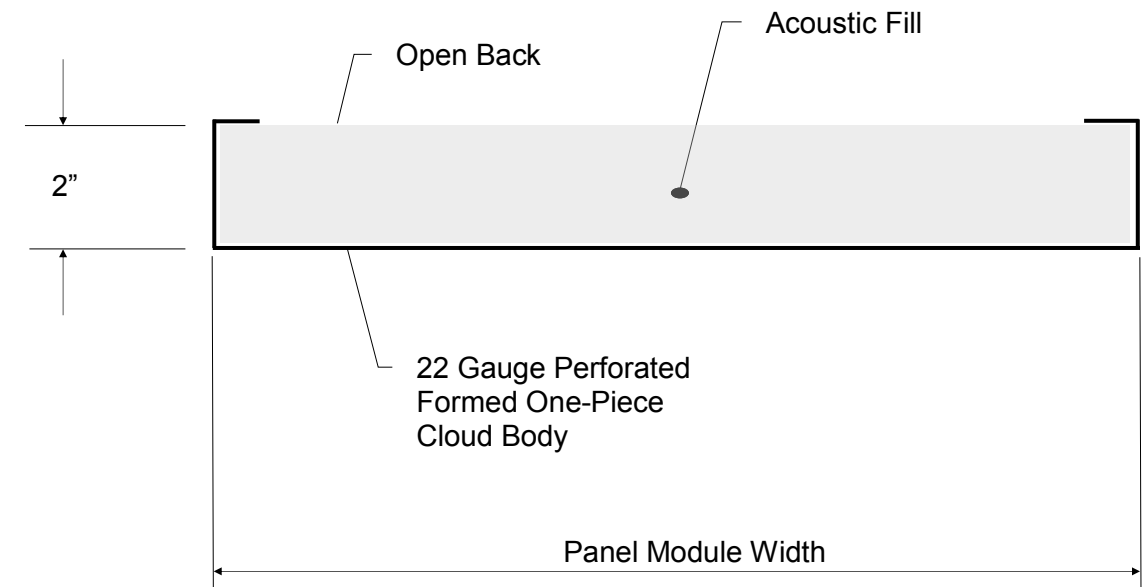
| | |
|---|--|
|  <p>Sound Seal, Inc. www.soundseal.com</p> | PRODUCT LINE: LUCIDITY Metal Ceiling Clouds |
| | DETAIL: Standard Product Details |
| | |
| | DRWG No. : 42-0000-02A |



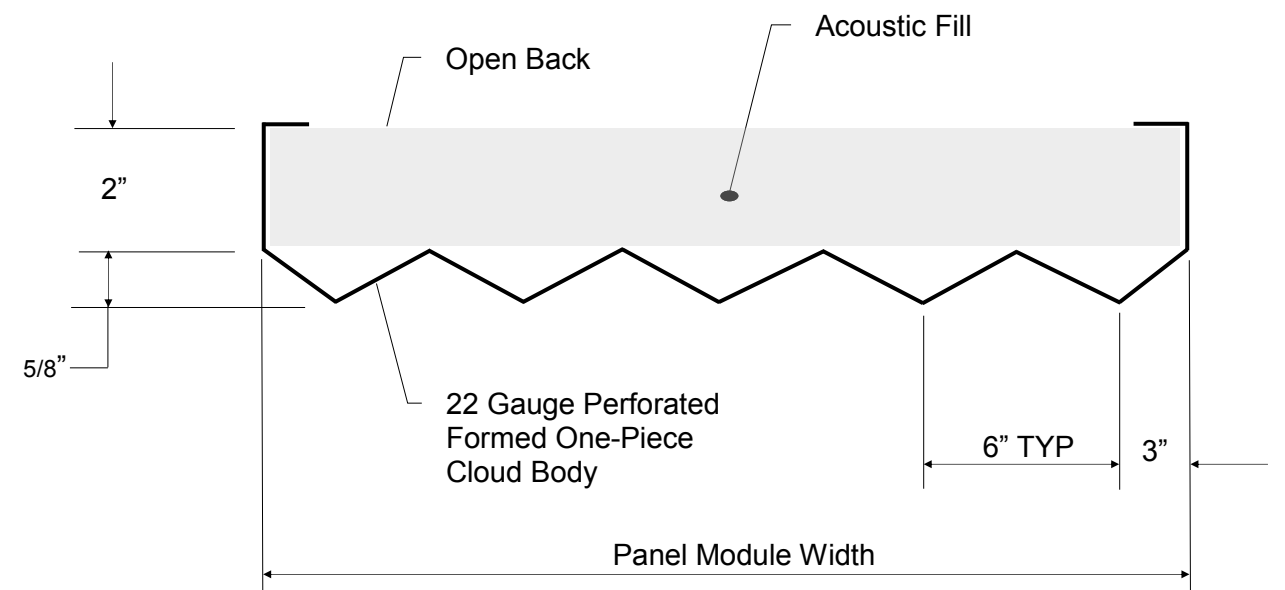
A



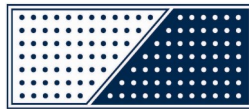
STANDARD CLOUD MODULE



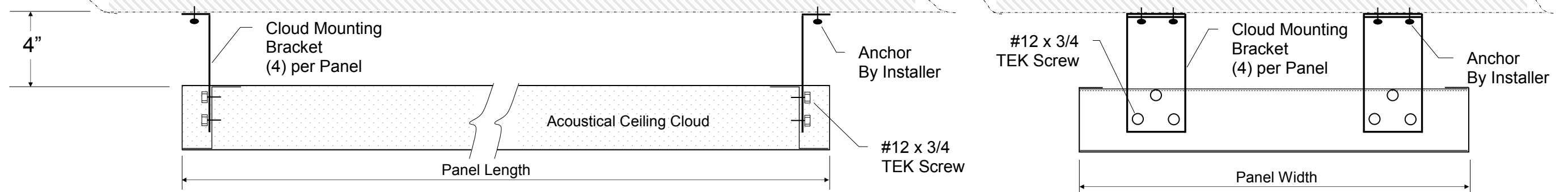
VIEW "A" FLAT Cloud Face



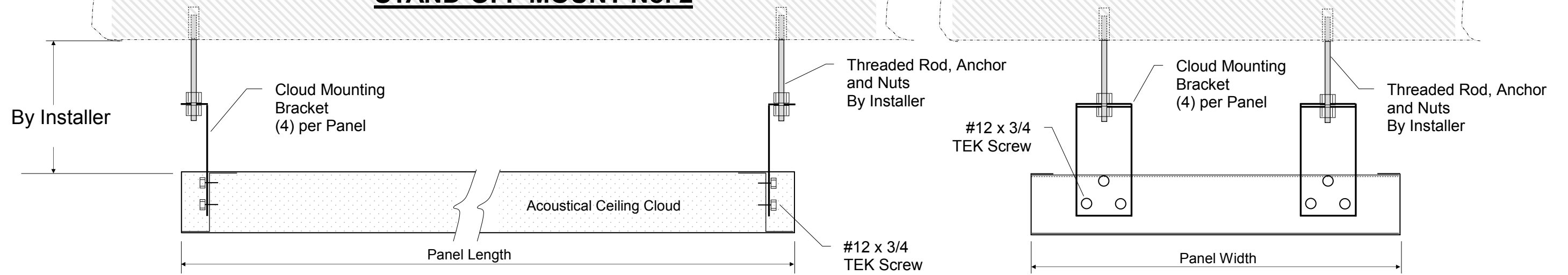
VIEW "A" V-GROOVE Cloud Face

| | |
|---|---|
|  <p>METALTRENDS BY SOUND SEAL</p> <p>Sound Seal, Inc. www.soundseal.com</p> | <p>PRODUCT LINE: LUCIDITY Metal Ceiling Clouds</p> |
| | <p>DETAIL: Standard Cloud Configurations</p> |
| | <p>DRWG No. : 42-0000-02B</p> |
| | |

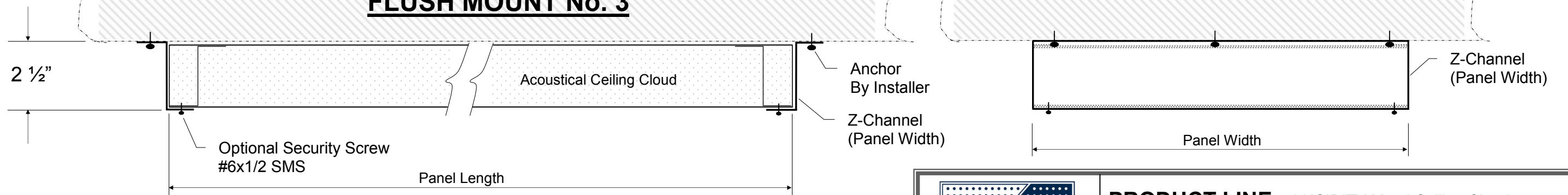
STAND-OFF MOUNT No. 1



STAND-OFF MOUNT No. 2



FLUSH MOUNT No. 3

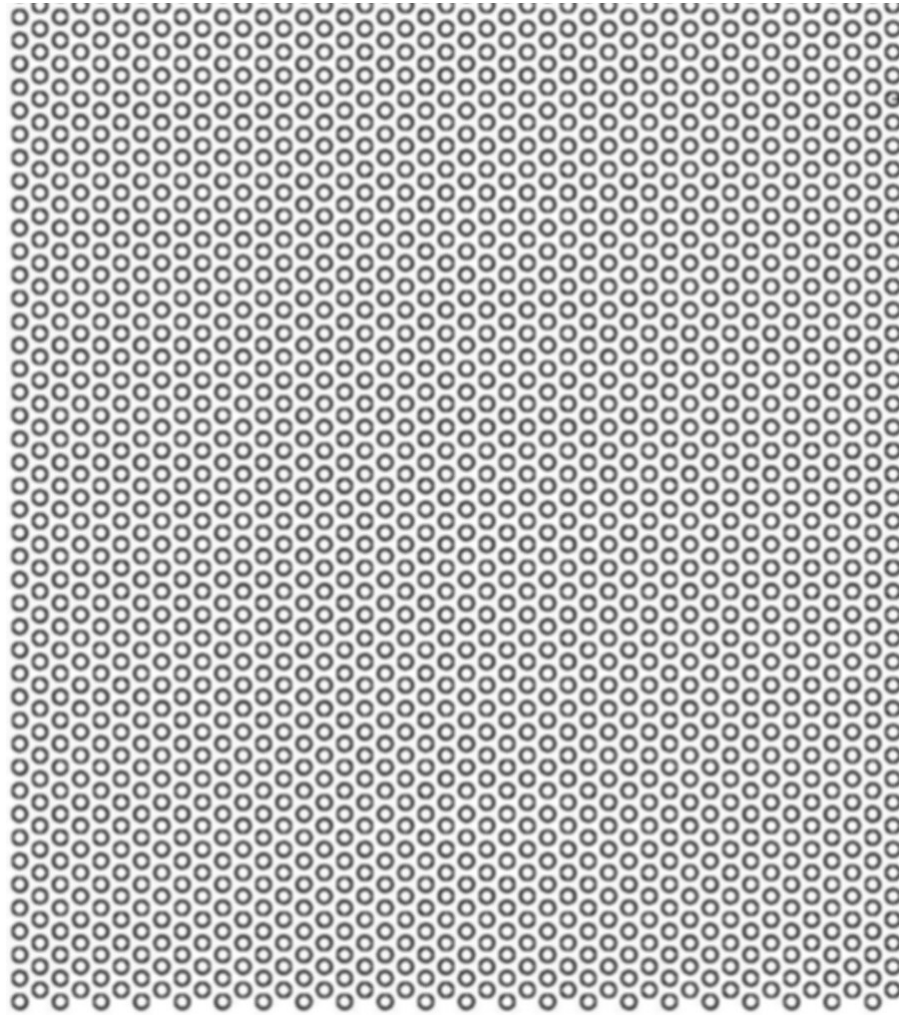


Sound Seal, Inc.
www.soundseal.com

PRODUCT LINE: LUCIDITY Metal Ceiling Clouds

DETAIL: Standard Cloud Mounting Details

DRWG No. : 42-0000-02C

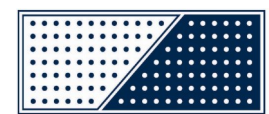


STYLE "A"
33% OPEN AREA PERF PATTERN

0.093" Diameter Holes on 0.156" Staggered Centers

Available Materials

A60 Galvaneal
G90 Galvanized
3003-H14 Aluminum
Type 304 2B Stainless



METALTRENDS
BY SOUND SEAL

Sound Seal, Inc.
www.soundseal.com

PRODUCT LINE: TRANQUILITY Metal Wall Panels

DETAIL: Standard Perforating Patterns

DRWG No. : 42-0000-01D