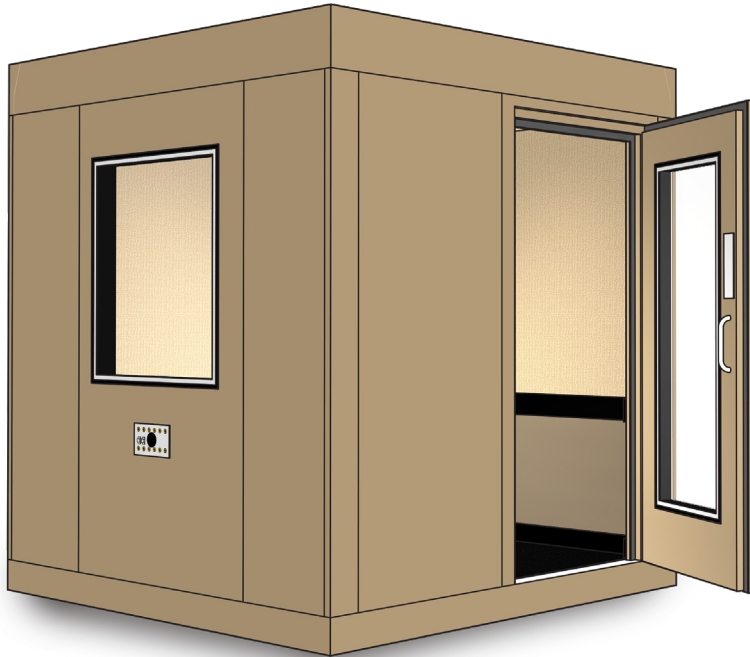




Data Sheet

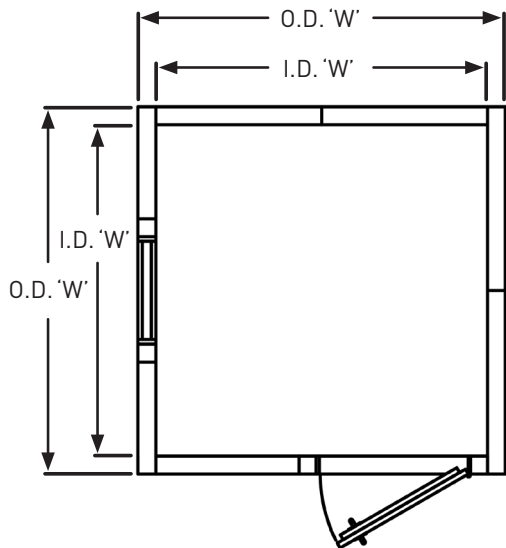
40a Classic Series Audiometric Booth



The **40a Classic Series Single-Wall** (individual room) construction is a single or multiple occupancy room constructed of 4" thick modular panels, complete with carpeted vibration isolated floor, space-saver roof mounted ventilation, recessed electrical, Noise-Lock® doors and double glazed windows, audiometric jack panels acoustically matched and shipped ready for field assembly.

- NIC 50
- NIC 53 with 1" Enhancement Package

Typical Plan



Model No.	Inside Dimension ft-in x ft-in x ft-in					Outside Dimension ft-in x ft-in x ft-in					Weight (lbs)
	L	x	W	x	D	L	x	W	x	H	
40a-1	2-10	x	3-6	x	6-6	3-6	x	4-2	x	7-7	1131
40a-2	3-6	x	4-4	x	6-6	4-2	x	5-0	x	7-7	1477
40a-2.5	3-6	x	6-2	x	6-6	4-2	x	6-10	x	7-7	1868
40a-3	3-6	x	6-8	x	6-6	4-2	x	7-4	x	7-7	1982
40a-4	4-8	x	7-0	x	6-6	5-4	x	7-8	x	7-7	2473
40a-5	6-2	x	6-2	x	6-6	6-10	x	6-10	x	7-7	2670
40a-5.5	6-4	x	7-6	x	6-6	7-0	x	8-2	x	7-7	3113
40a-6	7-0	x	7-0	x	6-6	7-8	x	7-8	x	7-7	3149
40a-7	7-0	x	7-6	x	6-6	7-8	x	8-2	x	7-7	3316
40a-7.5	6-4	x	8-4	x	6-6	7-0	x	9-0	x	7-7	3345
40a-8	7-0	x	8-8	x	6-6	7-8	x	9-4	x	7-7	3668
40a-9	7-0	x	9-10	x	6-6	7-8	x	10-6	x	7-7	4008
40a-10	8-2	x	8-8	x	6-6	8-10	x	9-4	x	7-7	4061
40a-11	8-6	x	8-6	x	6-6	9-2	x	9-2	x	7-7	4113
40a-12	8-2	x	9-10	x	6-6	8-10	x	10-6	x	7-7	4429
40a-13	9-4	x	9-10	x	6-6	10-0	x	10-6	x	7-7	4896
40a-13.5	8-8	x	11-2	x	6-6	9-4	x	11-10	x	7-7	5053
40a-14	10-6	x	9-10	x	6-6	11-2	x	10-6	x	7-7	5310





Data Sheet

40a Classic Series Audiometric Booth



Total Estimated Design Weight:

See table on page 1

Panel Construction:

Noise-Lock® V (walls) and Noise-Lock® VI (ceiling)

Panel Size:

Maximum panel size to be determined by customer for adequate site access.

Interior Surfaces:

22ga. galvanized perforated steel

Exterior Surfaces:

14ga. cold rolled solid steel

Floor Interior Surface:

11ga. hot rolled steel

Finish:

Textured powder coated

Door:

(1) 2'-9" wide x 6'-1½" high clear opening cam-lift splitframe with push plate and pull handles

Note:

- Dimensions locating door are shown to the clear opening
- Noise-Lock® STC-51

Window:

(1) 2'-6" wide x 2'-10" high aluminum frame double glazed with ¼" thick laminated safety glass (width reduced on smaller models)

Booth Vibration Isolation:

Vibration isolator rails to be provided below floor panels

Electrical:

- 120V recessed LED light fixture
- 120V toggle switch for fans and lights
- 120V duplex receptacle

Note:

- Customer to provide 110V, 60Hz, 20 amp power to roof mounted quad receptacle power cord
- All electrical is wired per 2002 national electric code
- Booth is factory UL certified and labeled
- (Lot) boxes, connectors, etc. as required for complete installation

Audiometric Jack Panel Comprised of:

- (12) Switchcraft three-wire phone-type jacks
- (2) USB ports
- (1) 2" ID passthrough hole with cover

Booth Options:

Ventilation:

Integrated SpaceSaver exhaust/inlet air ceiling silencer panels and 120V, 60Hz, 14w fans or HVAC connection collars to connect to building system

Available Colors:

- Khaki Shade
- Kinetic Khaki
- Polar Blue
- Colony Blue
- Limoge Cream
- Cinnamon Stick
- Celedon
- Jade Market
- First Star
- Silver Plate
- Pure White
- Gray Primer

Floor Covering:

Nylon carpet, to match paint color selection with 3/8" thick underlayment and 2-1/2" H black cove base molding included

Site Requirements:

- Customer to provide a finished floor which is within +/- ¼" of level in 10 non-cumulative feet
- 2" minimum clearance is required between the exterior of testing booth and host facility walls/ceiling





Accutone2 Series Audiometric Room Options



Doors:

- Noise-Lock® double-glazed windows in door
 - 12" x 12" View Port
 - 16" x 24" Side Light
 - 20" x 60" Full Glass
- Additional & oversized doors including double leaf
- Wood veneered door finishes
- Mortised type, lever handle, recessed key locks
- Door closers



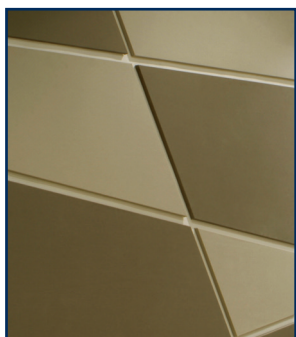
Optional Equipment:

- One-way Noise-Lock® glass
- One-way Noise-Lock® glass on sliding rails
- RF & electromagnetic shielding
- Special jack-panels
- Pass throughs
- Fire rated outer walls and doors



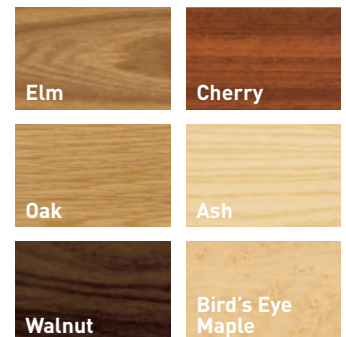
Standard Enhancement Packages:

- Enhancement packages available with choice of fabric & liner colors
- Paneling & carpeting in 5 colors
- Absorptive & aesthetic fabric top paneling
- Space-enhancing chair-rail
- Edge-smoothing corner panels



Exterior Enhancement Packages:

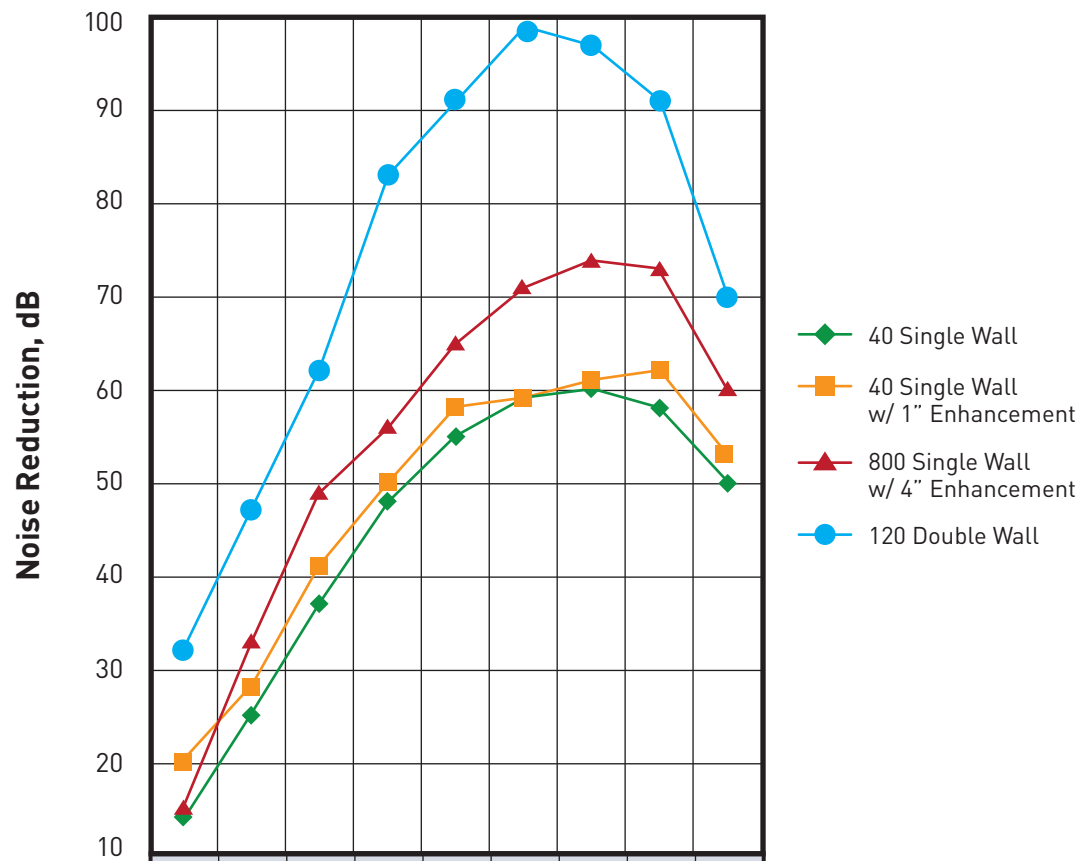
- Exterior enhancement packages available with WoodTrends by Sound Seal
- Aesthetically pleasing finishes that show off the beauty of real wood
- Available in a variety of popular as well as exotic wood veneer species (additional veneer options available upon request)





AccuTone² Enhanced Performance Audiometric Series

Room Noise Reduction



	63	125	250	500	1K	2K	4K	8K	NIC
40 Single Wall	14	25	37	48	55	59	60	58	50
40 Single Wall w/ 1" Enhancement	20	28	41	50	58	59	61	62	53
800 Single Wall w/ 4" Enhancement	15	33	49	56	65	71	74	73	60
120 Double Wall	32	47	62	83	91	99	97	91	70

Octave Band Center Frequency, Hz

