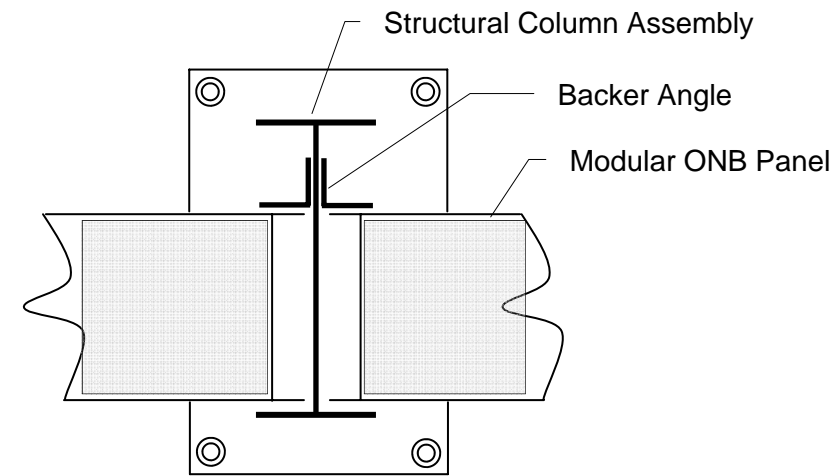


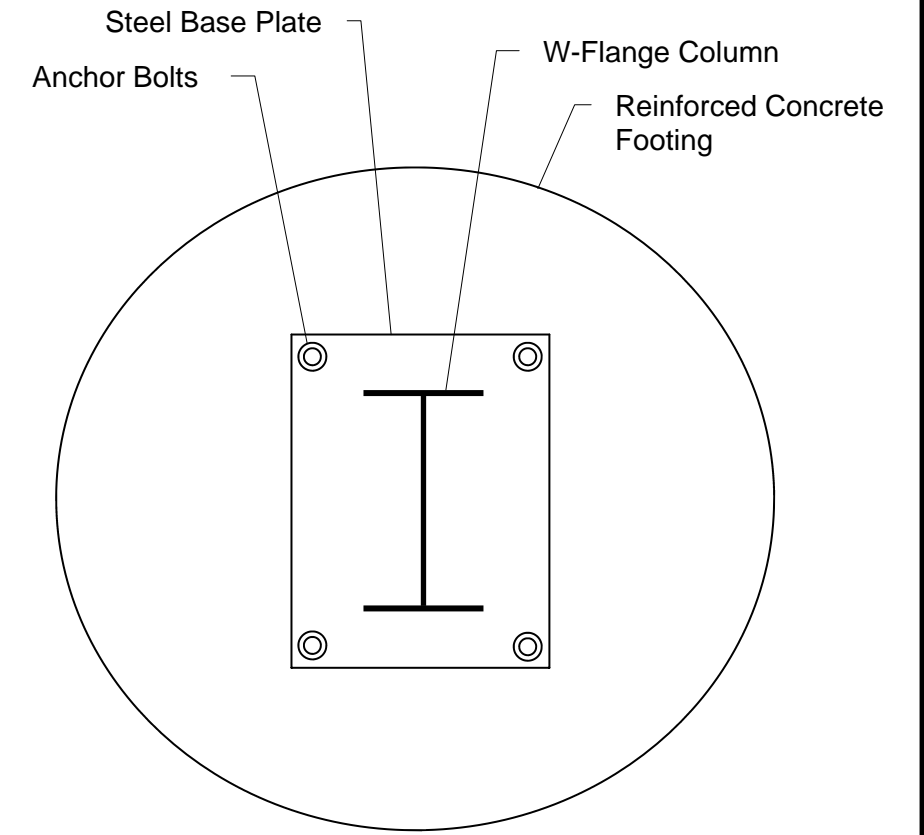
**TYP VERTICAL CONNECTION**  
Panel To Column



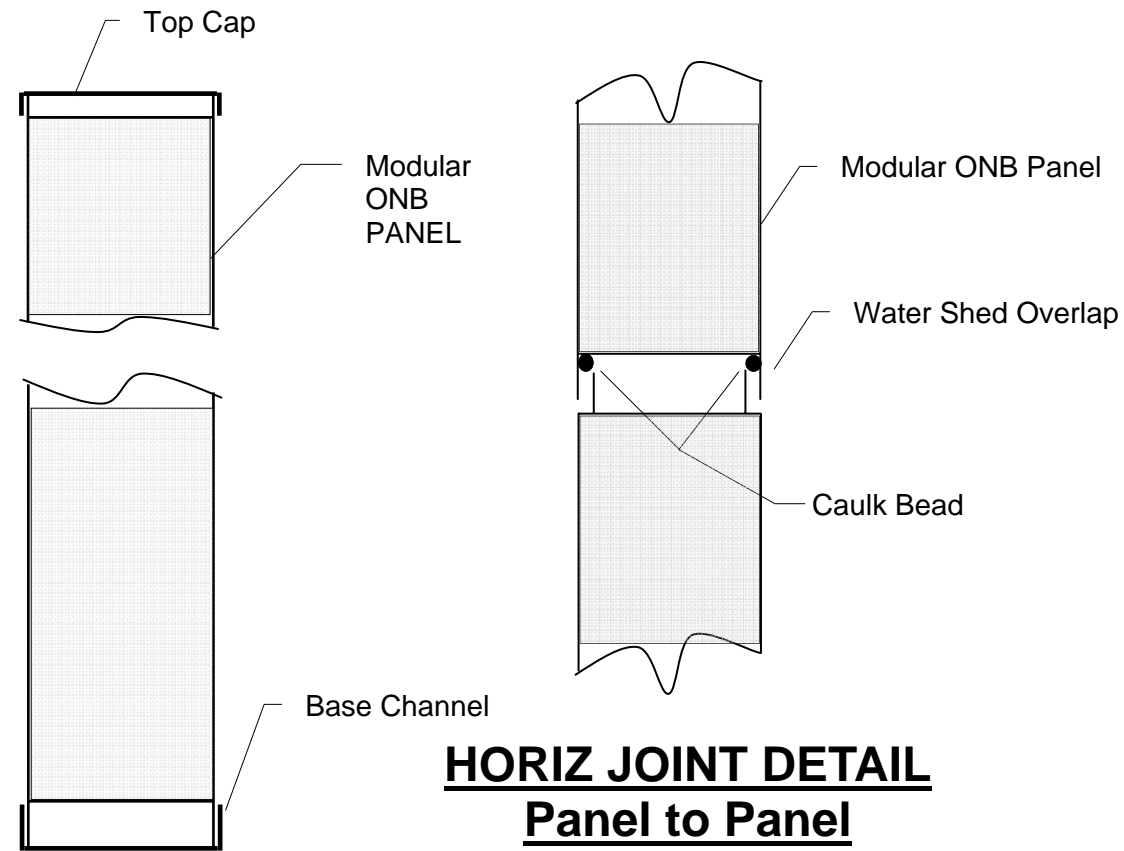
**ALT VERTICAL CONNECTION**  
Panel To Column

**NOTES:**

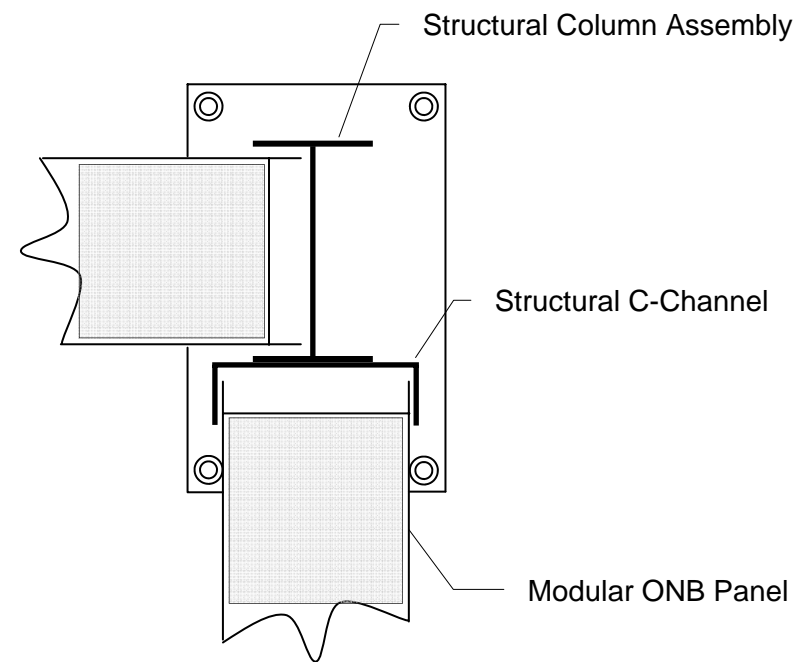
1. Support column sizes will be determined based on specific job site criteria. Some systems may require additional cross or "X" bracing between columns.
2. Concrete footings shown for reference only. These shall be designed and provided by others based on specific job site criteria.
3. All anchor bolts by installer.



**TYP COLUMN & FOOTING DETAIL**



**HORIZ JOINT DETAIL**  
Panel to Panel



**TYP CORNER CONNECTION**

**TYP WALL SECTION**



**PRODUCT LINE:** Panl-Wall® ONB Modular Acoustical Panels

**DETAIL:** ONB Connection & Support Details

Industrial Noise Control, Inc.  
401 Airport Road • North Aurora, IL 60542  
800-954-1998 • www.inc-noise.com

**TECHNICAL BULLETIN NO.:** 004-1001-003